


Dual Function Switches

WWW.GRISK.COM



AA / AC Series

- ◆ Security to access control
 - ◆ Security to relays
 - ◆ Security to recorders
- ◆ Access to VCR for CCTV timers
 - ◆ Security to pool alarms
- ◆  Indicates U.L. 10C fire rating



APPLICATION NOTES:

The AA & AC switches can be used in numerous security applications where you need to isolate input from two different pieces of equipment that require a signal from the same source.

The GRI "Combo" series switches are dual function reed contacts that monitor two separate functions.

By combining two reeds in one package, either two "A" forms or one "C" form, GRI offers the installer savings in labor cost along with a wide choice of switch designs for multiple applications.

Other configurations including wide gaps are available. Please contact that factory for further information.

Part Numbers		
Surface Mount	Recessed	U.L. 10C Fire Rated
AA1100	AC29P-A	AA180-A
AC1100	AA410P	AC180-A
AA200	AC410P	AA2020
AC200	AA410P-A	AC2020
AA250	AC410P-A	AA180
AC250	AA4400	AC180
AA29P	AC4400	AA184
AC29P	AA4400-A	AC184
AA29P-A	AC4400-A	

*AA denotes 2 A form reeds.
 AC denotes 1 A form reed and 1 C form reed.
 Other configurations available.
 -A after part # denotes armored cable.
 All come with standard 36 inch leads.*

Wire Code:	
1st (A)	2nd (A)
AA Red/Black	Green/White
(A) Circuit	(C) Circuit
AC Black/Blue	White - C
	Red - N.C.
	Green - N.O.

WARRANTY: Lifetime warranty against workmanship, material and factory defects.

GEORGE RISK INDUSTRIES, INC.
 G.R.I. PLAZA
 KIMBALL, NE 69145
 WWW.GRISK.COM

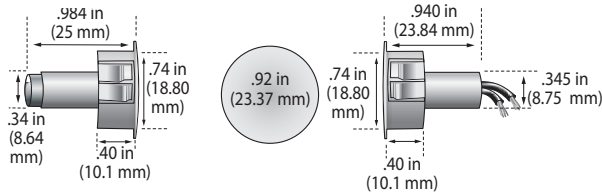


Made in U.S.A.

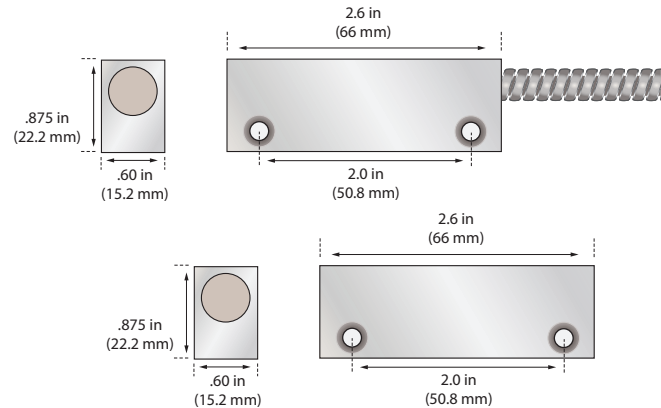
TOLL-FREE 1-800-445-5218
 TOLL-FREE 1-800-523-1227
 (308) 235-4645
 FAX (308) 235-3561
 E-MAIL: sales@grisk.com

Dual Function Switches

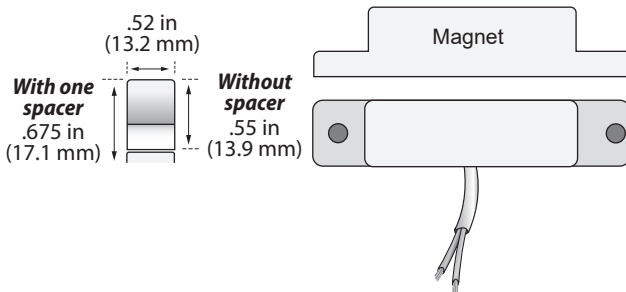
WWW.GRISK.COM



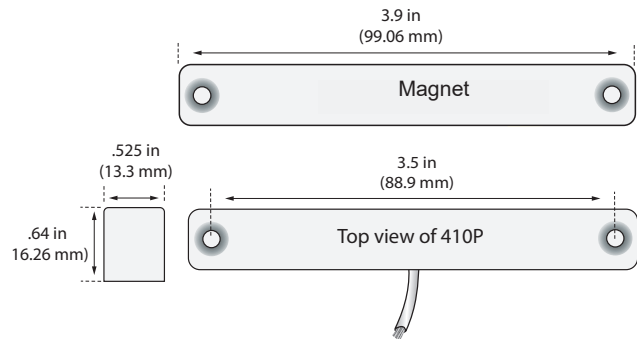
AA/AC180



AA/AC4400-A



AA/AC29P



AA/AC410P

GRI PRODUCTS MEET OR EXCEED THESE MINIMUM GENERAL SPECIFICATIONS:

Part Number	Loop Type	Electrical Configuration	Reed Form	Max. Initial Contact Resistance (Ω)	Max. Contact Rating (W)	Max. Switching Voltage (VDC)	Max. Switching Current (A)
A	Closed	N/O	A	.150	10	160	.400
C	Open/Closed	SPDT	C	.140	5	175	.250

WARRANTY: Lifetime warranty against workmanship, material and factory defects.

GEORGE RISK INDUSTRIES, INC.
G.R.I. PLAZA
KIMBALL, NE 69145
WWW.GRISK.COM



TOLL-FREE 1-800-445-5218
TOLL-FREE 1-800-523-1227
(308) 235-4645
FAX (308) 235-3561
E-MAIL: sales@grisk.com